

| DAY and TIME | | COURSE | | SUBJECT | |
|-------------------------------|--|---|--------------------------|--|---------------|
| DAY-1 10.30 am to 12.30 pm | | ME/M.Tech/M.Arch/MBA (Infrastructure Management) courses offered by VTU/ UVCE/UBDTCE | | ELECTRICAL SCIENCES E&E/E&C/TC/IT/ BME/ME | |
| SESSION : FORENOON | | | | | |
| MAXIMUM MARKS | | TOTAL DURATION | | MAXIMUM TIME FOR ANSWERING | |
| 100 | | 150 MINUTES | | 120 MINUTES | |
| MENTION YOUR PGCET NO. | | | QUESTION BOOKLET DETAILS | | |
| | | | VERSION CODE | | SERIAL NUMBER |
| | | | A - 1 | | 155549 |

DOs :

1. Check whether the PGCET No. has been entered and shaded in the respective circles on the OMR answer sheet.
2. Ensure whether the circles corresponding to course and the specific branch have been shaded on the OMR answer sheet and also ensure the circle against the appropriate paper you are answering in Part-B is also shaded.
3. This Question Booklet is issued to you by the invigilator after the 2nd Bell i.e., after 10.25 a.m.
4. The Serial Number of this question booklet should be entered on the OMR answer sheet.
5. The Version Code of this question booklet should be entered on the OMR answer sheet and the respective circles should also be shaded completely.
6. Compulsorily sign at the bottom portion of the OMR answer sheet in the space provided.

DON'Ts :

1. **THE TIMING AND MARKS PRINTED ON THE OMR ANSWER SHEET SHOULD NOT BE DAMAGED / MUTILATED / SPOILED.**
2. The 3rd Bell rings at 10.30 a.m., till then;
 - Do not remove the paper seal / polythene bag of this question booklet.
 - Do not look inside this question booklet.
 - Do not start answering on the OMR answer sheet.

IMPORTANT INSTRUCTIONS TO CANDIDATES

1. This question booklet contains 75 (items) questions and each question will have one statement and four answers. (Four different options / responses.)
2. After the 3rd Bell is rung at 10.30 a.m., remove the paper seal / polythene bag of this question booklet and check that this booklet does not have any unprinted or torn or missing pages or items etc., if so, get it replaced by a complete test booklet. Read each item and start answering on the OMR answer sheet.
3. During the subsequent 120 minutes:
 - Read each question (item) carefully.
 - Choose one correct answer from out of the four available responses (options / choices) given under each question / item. In case you feel that there is more than one correct response, mark the response which you consider the best. In any case, choose **only one response** for each item.
 - **Completely darken / shade the relevant circle with a BLUE OR BLACK INK BALL POINT PEN against the question number on the OMR answer sheet.**
4. Use the space provided on each page of the question booklet for Rough Work. Do not use the OMR answer sheet for the same.
5. After the last Bell is rung at 12.30 pm, stop marking on the OMR answer sheet and affix your left hand thumb impression on the OMR answer sheet as per the instructions.
6. Hand over the OMR ANSWER SHEET to the room invigilator as it is.
7. After separating the top sheet, the invigilator will return the bottom sheet replica (Candidate's copy) to you to carry home for self-evaluation.
8. Preserve the replica of the OMR answer sheet for a minimum period of ONE year.
9. Only Non-programmable calculators are allowed.

Marks Distribution

| | |
|---|---|
| Part-A : (Section I) 30 Questions : 30 × 1 = 30 | (Section II) 15 Questions : 15 × 2 = 30 |
| Part-B : (Section I) 20 Questions : 20 × 1 = 20 | (Section II) 10 Questions : 10 × 2 = 20 |



ELECTRICAL SCIENCE

IMPORTANT INSTRUCTIONS AND BRANCHWISE INDEX FOR THE CANDIDATES

Question Nos. 1 to 45 is compulsory and common to all the branches. Question Nos. 46 to 75 are optional. Sub-branches are there in this booklet. The candidate has to opt any one branch according to his/her Application Form.

| Sub-branch | Subject | Page No. | |
|------------|--|----------|----|
| | | From | To |
| 1. | Electrical and Electronics Engineering (E & E) | 12 | 16 |
| 2. | Electronics and Communication Engineering (E & C) & Telecommunication Engineering (TC) | 17 | 21 |
| 3. | Bio-Medical Engineering (BME) & Medical Electronics (ME) | 22 | 26 |
| 4. | Instrumentation Technology (IT) | 27 | 31 |

PART – A

(Common to E&E / E&C / TC / BME / ME / IT)

SECTION – I

Each question carries one mark.

(30 × 1 = 30)

1. The matrix $A = \begin{bmatrix} 1 & 2 & 3 \\ 4 & 5 & 6 \\ -2 & -4 & -6 \end{bmatrix}$ is
- (A) Singular (B) Non-singular
(C) Symmetric (D) Scalar matrix
2. The differential equation $\frac{dy}{dx} = y^2$ is
- (A) Linear (B) Non-linear
(C) Quasi-linear (D) None of these
3. If A and B are mutually exclusive events, then $P(A \cup B) =$
- (A) $P(A) + P(B) - P(A \cap B)$ (B) $P(A) + P(B)$
(C) $P(A) - P(B)$ (D) $P(A) \times P(B)$
4. If r is the correlation coefficient, then which of the following is correct ?
- (A) $r > 1$ (B) $r > 0$
(C) $0 \leq r \leq 1$ (D) $-1 \leq r \leq 1$
5. The Gray Code equivalent of Binary 1100 is
- (A) 1011 (B) 1101
(C) 1010 (D) 1100

Space For Rough Work

6. Meaning of decoding is
- (A) Binary addition (B) Data transmission
(C) Demultiplexing (D) Storage of binary information
7. Flip flop cannot be called as
- (A) Bistable multivibrator (B) One bit memory unit
(C) Latch (D) Combinational circuit
8. In which of the code only one bit changes at each time ?
- (A) BCD (B) Binary code
(C) Excess-3 code (D) Gray code
9. $(0.3125)_{10}$ when converted to base 8 gives
- (A) $(0.16)_8$ (B) $(0.26)_8$
(C) $(0.24)_8$ (D) $(0.124)_8$
10. Modulo-2 addition is represented by
- (A) $F = \bar{X}Y + X\bar{Y}$ (B) $F = XY + X\bar{Y}$
(C) $F = XY + \bar{X}\bar{Y}$ (D) $F = XY + X$
11. Intel 8085 microprocessor has two registers known as primary data pointers. These are
- (A) Register B & C (B) Register D & E
(C) Register H & L (D) Register SP
12. A Boolean variable or its complement is known as
- (A) literal (B) prime implicant
(C) essential prime implicant (D) non-essential prime implicant

Space For Rough Work

13. Gauss law relates the electric field intensity E with volume charge density ρ at a point as
- (A) $\nabla \times E = \epsilon_0 \rho$ (B) $\nabla \cdot E = \rho/\epsilon_0$
(C) $\nabla \times E = \rho/\epsilon_0$ (D) $\nabla \cdot E = \epsilon_0 \rho$
14. Which of the following method of biasing provides the best operating point stability ?
- (A) Two battery bias (B) Collector to base bias
(C) Fixed bias (D) Self bias
15. In a JFET, at pinch-off voltage applied on the gate
- (A) The drain current becomes almost zero
(B) The drain current begins to decrease
(C) The drain current is almost at saturation value
(D) The drain-to-source voltage is close to zero volts
16. Transistor is a
- (A) Current controlled current device.
(B) Current controlled voltage device.
(C) Voltage controlled current device.
(D) Voltage controlled voltage device.
17. An oscillator of the LC type that has a split capacitor in the circuit is
- (A) Hartley oscillator (B) Colpitts oscillator
(C) Weinbridge oscillator (D) R-C phase shift oscillator
18. The 'slew rate' of an operational amplifier indicates
- (A) how fast its output current can change
(B) how fast its output impedance can change
(C) how fast its output power can change
(D) how fast its output voltage can change when a step input signal is given

Space For Rough Work

19. Active loaded MOS differential circuit has a
- (A) high CMRR (B) low CMRR
(C) high delay (D) high differential gain
20. The maximum binary number counted by a ripple counter that uses four FlipFlops is
- (A) $(0000)_2$ (B) $(1011)_2$
(C) $(1111)_2$ (D) $(0101)_2$
21. The electric field strength at any point equals
- (A) The potential gradient at that point
(B) Negative of the potential gradient at that point
(C) The charge at that point
(D) Negative of the charge at that point
22. The Laplace transform of a unit ramp function starting at $t = a$, is
- (A) $1/(s + a)^2$ (B) $e^{-as}/(s + a)^2$
(C) e^{-as}/s^2 (D) a/s^2
23. In an RC coupled CE amplifier, typical value of coupling capacitor is
- (A) 1000 pF (B) 0.1 μ F
(C) 10 μ F (D) 0.01 μ F
24. The device which behaves like a SCR is
- (A) UJT (B) Triac
(C) MOSFET (D) SRD

Space For Rough Work

25. Strapping is used in a Magnetron to
- (A) prevent mode jumping (B) reduce frequency drift
(C) ensure proper bunching (D) dissipate heat
26. HDLC is a term for
- (A) Data Communication protocol (B) Synchronizing pulse
(C) Gain control in receivers (D) Error checking
27. Which family of the following ICs has the highest speed ?
- (A) DTL (B) ECL
(C) TTL (D) CMOS
28. Which of the following microwave tubes can be considered as broadband devices ?
- (A) Magnetrons (B) Klystron
(C) Reflex Klystron (D) Travelling Wave Tube (TWT)
29. Baud is
- (A) Total number of bits per second in each character
(B) Reciprocal of shortest signal element in a character
(C) Duration of a character in data transmission
(D) None
30. Energy stored in a capacitor is a function of voltage is given by
- (A) CV^2 (B) $V^2 / 2C$
(C) $CV^2/2$ (D) $V/2C$

Space For Rough Work

SECTION – II

Each question carries two marks.

(15 × 2 = 30)

31. $L\left[\frac{\sin t}{t}\right] =$

(A) $\frac{1}{s^2 + 1}$

(B) $\cot^{-1} s$

(C) $\cot^{-1} (s - 1)$

(D) $\tan^{-1} s$

32. The eigen values of a matrix $A = \begin{bmatrix} 1 & 1 & 3 \\ 1 & 5 & 1 \\ 3 & 1 & 1 \end{bmatrix}$ are

(A) $-2, 3, 6$

(B) $0, 3, 6$

(C) $2, -3, -6$

(D) $0, 0, -6$

33. The unit tangent vector to the curve $x = t, y = t^2, z = t^3$ at the point $(-1, 1, -1)$ is

(A) $\frac{1}{\sqrt{14}}(\hat{i} + 2\hat{j} + 3\hat{k})$

(B) $\frac{1}{\sqrt{14}}(\hat{i} - 2\hat{j} + 3\hat{k})$

(C) $\frac{1}{\sqrt{3}}(\hat{i} + \hat{j} + \hat{k})$

(D) $\frac{1}{\sqrt{3}}(\hat{i} - \hat{j} + \hat{k})$

34. For a poisson variata x ; $P(x = 1) = P(x = 2)$, the mean of x is

(A) 3

(B) 4

(C) 2

(D) 1

Space For Rough Work

35. The following sequence of instructions are executed by 8085 microprocessor:

1000 LXI SP, 27FF

1003 CALL 1006

1006 POP H

The contents of the stack pointer (SP) and the HL register pair on completion of execution of these instructions are

(A) SP = 27FF, HL = 1003

(B) SP = 27FD, HL = 1003

(C) SP = 27FF, HL = 1006

(D) SP = 27FD, HL = 1006

36. For the system described by the state equation

$$\dot{X} = \begin{bmatrix} 0 & 1 & 0 \\ 0 & 0 & 1 \\ 0.5 & 1 & 2 \end{bmatrix} X + \begin{bmatrix} 0 \\ 0 \\ 1 \end{bmatrix} U, \text{ if the control signal } U \text{ is given by } U = [-0.5 \ -3 \ -5]$$

$X + V$, then the Eigen values of the closed loop system will be

(A) 0, -1, -2

(B) 0, -1, -3

(C) -1, -1, -2

(D) 0, -1, -1

37. The minimized form of logical expression

$\bar{A}\bar{B}\bar{C} + \bar{A}B\bar{C} + \bar{A}BC + A\bar{B}\bar{C}$ is

(A) $\bar{A}\bar{C} + \bar{B}\bar{C} + \bar{A}B$

(B) $A\bar{C} + \bar{B}C + \bar{A}B$

(C) $\bar{A}C + \bar{B}C + \bar{A}B$

(D) $A\bar{C} + \bar{B}C + \bar{A}B$

Space For Rough Work

38. A class A transformer coupled transistor power amplifier is required to deliver a power output 10 Watts. The maximum power rating of the transistor should not be less than

- (A) 5 W (B) 10 W
(C) 20 W (D) 40 W

39. A second order system has a transfer function given by

$$G(S) = \frac{25}{S^2 + 8S + 25}$$

If the system, initially at rest is subjected to a unit step input at $t = 0$, the second peak in the response will occur at

- (A) π sec (B) $\pi/3$ sec
(C) $2\pi/3$ sec (D) $\pi/2$ sec

40. The decimal equivalent of hex number 1A53 is

- (A) 6793 (B) 6739
(C) 6973 (D) 6379

41. The simplification of the Boolean expression $ABC + \overline{ABC}$ is

- (A) 0 (B) 1
(C) A (D) BC

42. If the input to T-flip flop is 100 Hz signal, the final output of the three T-flip flops in cascade is

- (A) 1000 Hz (B) 500 Hz
(C) 333 Hz (D) 12.5 Hz

Space For Rough Work

43. For the circuit shown in Fig.1, the input resistance R_{id} will be

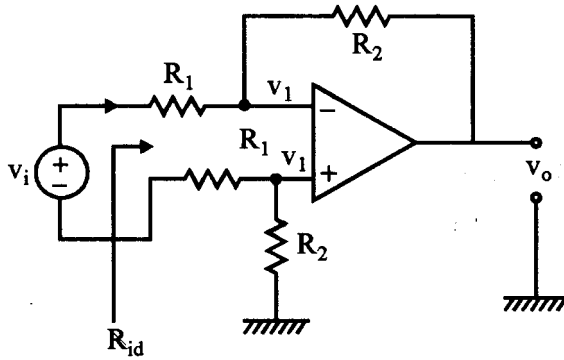


Fig. 1

- (A) $2R_1$
- (B) $2R_1 + R_2$
- (C) $2(R_1 + R_2)$
- (D) Infinity

44. The Laplace transform of e^{-2t} is

- (A) $\frac{1}{2 \cdot s}$
- (B) $\frac{2}{s}$
- (C) $\frac{2}{s + 1}$
- (D) $\frac{1}{s + 2}$

45. In integrated circuits, npn construction is preferred to pnp construction because

- (A) npn construction is cheaper
- (B) to reduce diffusion constant, n-type collector is preferred
- (C) npn construction permits higher packing of elements
- (D) p-type base is preferred

Space For Rough Work

Note : Please choose to answer Part-B below corresponding to your basic degree

PART - B

(E & E : ELECTRICAL AND ELECTRONICS ENGINEERING)

SECTION – I

Each question carries one mark.

(20 × 1 = 20)

46. The armature of a DC generator is laminated to
- (A) reduce the bulk (B) provide passage for cooling air
(C) insulate the core (D) reduce the eddy current loss
47. In DC shunt generator the voltage build up is generally restricted by
- (A) Speed limitation (B) Armature heating
(C) Insulate the core (D) Saturation of the core
48. No Load speed of which of the following DC motor will be highest ?
- (A) Shunt Motor (B) Series Motor
(C) Cumulative Component Motor (D) Differently Compound Motor
49. What will happen if the back emf of a DC motor vanishes suddenly ?
- (A) The motor will stop (B) The motor will continue to run
(C) The armature may burn (D) The motor will run noisily
50. Which of the following does not change in a transformer ?
- (A) Current (B) Voltage
(C) Frequency (D) All of the above

Space For Rough Work

51. Which of the following is the main advantage of an auto transformer over a two winding transformer ?
- (A) Hysteresis losses are reduced (B) Saving in winding material
(C) Copper losses are negligible (D) Eddy current losses are totally eliminated
52. In an induction motor, on no load, the slip is generally
- (A) less than 1% (B) 1.5%
(C) 2% (D) 4%
53. In a 3 ph Induction Motor, the number of poles in the rotor winding is always
- (A) zero
(B) more than the number of poles in the Stator
(C) less than number of poles in Stator
(D) equal to number of poles in Stator
54. ZPF method for an alternator is generally used to determine
- (A) Synchronous Impedance (B) Efficiency
(C) Voltage regulation (D) None
55. If the input to the prime mover of an alternator is constant but the excitation is changed, then the
- (A) Pf of the load remains constant
(B) reactive component of the output is changed
(C) active component of the output is changed
(D) all of the above
56. Under which of the following conditions, hunting of synchronous motor is likely to occur ?
- (A) Periodic variations of Load (B) Over excitation
(C) Over loading for long periods (D) Small and constant load
57. A synchronous motor can be used as asynchronous condenser when it is
- (A) under loaded (B) over loaded
(C) under excited (D) over excited

Space For Rough Work

58. The capacity factor of a plant is equal to
 (A) max load/plant capacity (B) avg load/max load
 (C) avg load/plant capacity (D) max load/avg load
59. The inductance of the line is minimum when
 (A) GMD is high (B) GMR is high
 (C) both GMD & GMR are high (D) GMD is low & GMR is high
60. A large diversity factor of the load in a power system
 (A) reduces the installation cost (B) increases the installation cost
 (C) does not affect the installation (D) none
61. In suspension type insulator, the potential drop is
 (A) max across the lowest disc
 (B) max across the top most disc
 (C) uniformly distributed over the disc
 (D) non-uniformly distributed over the disc
62. Which distribution system is more reliable ?
 (A) Ring main system (B) Tree system
 (C) Radial system (D) All are equally reliable
63. The inertia constants of two groups of machines which do not swing together are M_1 and M_2
 (A) $M_1 + M_2$ (B) $M_1 - M_2$ & $M_1 M_2$
 (C) $\frac{M_1 M_2}{M_1 + M_2}$ (D) $\sqrt{M_1 M_2}$
64. Zero sequence currents can flow from a line into a transformer bank if the windings are
 (A) Grounded star/delta (B) Delta / star
 (C) Star / grounded star (D) Delta / delta
65. Load flow study is carried out for
 (A) Fault calculations (B) Stability studies
 (C) System planning (D) Load frequency control

Space For Rough Work

SECTION – II

Each question carries two marks.

10 × 2 = 20

66. A 66 KV system has string insulator having five discs and the earth to disc capacitance ratio is 0.10. The string efficiency will be
- (A) 89% (B) 75%
(C) 67% (D) 55%
67. A 100 KVA t_r has 4% impedance and 50 KVA t_r has 3% impedance, when they are operated unparallel, which transformer will reach full load first ?
- (A) Low over load currents (B) Short circuit current
(C) Under all abnormal currents (D) The combination is never
68. If a combination of HRC fuse and circuits breaker are used, the circuits breaker operates for
- (A) Low over load currents (B) Short circuits currents
(C) Under all abnormal currents (D) The combination is never
69. If the penalty factor of a plant is unity, its increments transmission loss is
- (A) 11.0 (B) – 1.0
(C) Zero (D) None
70. A power system is subjected to a fault which makes the zero seq component of current equal to zero. The nature of the fault is
- (A) Double line to ground fault (B) Double line fault
(C) Line to ground fault (D) 3 ph to ground fault

Space For Rough Work

71. In case the back EMF and the speed of a DC Motor are doubled, the torque developed by the motor will
- (A) remain unchanged (B) reduce to one fourth volume
(C) increase four times (D) double
72. For a DC shunt Motor, if the excitation is changed
- (A) Torque remain constant
(B) Torque will change but power remain constant
(C) Torque and Power both change
(D) Torque, Power and Speed all will change
73. The elements of the Jacobin matrix in Newton Raphson method for load flow Studies contain
- (A) Derivative (B) Real Numbers
(C) Partial (D) Partial derivatives
74. Slip test is used for calculating the voltage regulation of
- (A) Non salient Pole Alternator (B) Salient Pole Alternator
(C) Turbo Alternator (D) None
75. Equal area criteria is used for the analysis of
- (A) Dynamic Stability (B) Steady State Stability
(C) Transient Stability (D) None

Space For Rough Work

PART – B

**(E&C AND TC: Electronics and Communication Engineering and
Telecommunication Engineering)**

SECTION – I

Each question carries one mark.

(20 × 1 = 20)

46. The ASCII is an input output code
(A) It is a two bit code (B) It is a four bit code
(C) It is a seven bit code (D) It is an eight bit code
47. A digital circuit designed to execute exactly one program is known as
(A) General purpose processor
(B) Application specific instruction set processor
(C) Single purpose processor
(D) All purpose processor
48. A half wave folded dipole has a radiation resistance of
(A) 72 Ω (B) 50 Ω
(C) 144 Ω (D) 288 Ω
49. If several stations in a network want to use a single channel without interfering with one another, the technique used is called
(A) Carrier sense (B) Phantom-freeze
(C) Packet switching (D) Multiplexing
50. Modulation index of the frequency modulation depends on
(A) Amplitude and frequency of the modulating signal
(B) Frequency and amplitude of carrier signal
(C) Carrier frequency
(D) Sampling frequency

Space For Rough Work

51. To limit the rate of rise of SCR anode current a small
(A) Inductor is inserted in cathode circuit
(B) Inductor is inserted in anode circuit
(C) Capacitor is inserted in anode circuit
(D) Capacitor is inserted in cathode circuit
52. The important application of Schmitt trigger is
(A) To convert slowly varying input voltage to abrupt voltage change
(B) To convert abruptly varying input voltage into slowly varying output
(C) To change the frequency of the input
(D) None
53. The 3dB band width means the frequency at which
(A) The open loop voltage gain reduced to 0.707
(B) The open loop gain reduced to unity
(C) Maximum voltage of a signal is without distortion
(D) It is medium wave band width of radio receiver
54. The noise figure of a receiver is a measure of
(A) Excess noise generated (B) Bandwidth of the receiver
(C) Gain of the receiver (D) Operating frequency
55. The frequency deviation in FM system is proportional to
(A) Modulating frequency (B) Carrier amplitude
(C) Modulating signal amplitude (D) None
56. The velocity of electromagnetic wave in a coaxial cable is
(A) Equal to the velocity in free space
(B) Less than the velocity in free space
(C) Greater than the velocity in free space
(D) None
57. The Smith Chart generally covers a distance of
(A) Quarter wavelength (B) Half wavelength
(C) One wavelength (D) Twice the wavelength

Space For Rough Work

58. In which of the counter the clock input is common to all flip flops ?
 (A) Up counter (B) Down counter
 (C) Asynchronous counter (D) Synchronous counter
59. An OPAMP integrator will be
 (A) Capacitor at input (B) Diode at input
 (C) Diode feedback (D) Capacitor feedback
60. The term free running is usually associated with
 (A) Monostable multivibrator (B) Astable multivibrator
 (C) Bistable multivibrator (D) Schmitt trigger
61. The feedback network of a phase shift oscillator is usually consist of
 (A) RC circuit (B) RL circuit
 (C) LC circuit (D) RLC circuit
62. The bilinear transformation is characterized by
 (A) $s = \frac{2(1 + Z^{-1})}{T(1 - Z^{-1})}$ (B) $s = \frac{2(1 - Z^{-1})}{T(1 + Z^{-1})}$
 (C) $s = \frac{T(1 - Z^{-1})}{2(1 + Z^{-1})}$ (D) None of the above
63. The number of complex multiplications required for calculating the DIT FFT is
 (A) $N \log_2 N$ (B) $\frac{N}{2} \log_2 N$
 (C) $\log_2 N$ (D) $N \log_2 (N - 1)$
64. The Boolean expression $a + bc$ is equal to
 (A) $a + b$ (B) $b + c$
 (C) $(a + b)(a + c)$ (D) $ab + c$
65. How many bits are needed to address 64k Bytes of memory locations ?
 (A) 3 (B) 10
 (C) 16 (D) 32

Space For Rough Work

SECTION - II

Each question carries two marks.

10 × 2 = 20

66. For a logical expression $\overline{\overline{AB} + \overline{A} + AB}$ is
- (A) 0 (B) A
(C) \overline{A} (D) 1
67. Nyquist sampling interval for the signal $\text{sinc}(100\pi t)$ is
- (A) 2 ms (B) 3.18 ms
(C) 8.29 ms (D) 7.29 ms
68. Given $W_{64}^{16} = W_{128}^x$, solve for x .
- (A) 8 (B) 16
(C) 32 (D) 128
69. The linear convolution of the sequences $x_1(n) = [2, 1, 1, 2]$ and $x_2(n) = [1, -1, -1, 1]$ is
- (A) $[2, -1, -2, 2, -2, -1, 2]$ (B) $[-2, -1, -2, 2, -2, -1, -2]$
(C) $[2, 1, -2, 2, -2, 1, 2]$ (D) $[2, 1, 2, -2, 2, -1, 2]$
70. If $x(n + qN) = x(n)$, where 'q' is an integer, what is the fundamental period of the signal $x(n)$?
- (A) qN (B) q
(C) N (D) $n + qN$

Space For Rough Work

71. When an analog signal of bandwidth 20 kHz is sampled at a rate of 40 kHz, and quantized into 16 levels. The resultant digital signal is transmitted using M-ary PSK with raised cosine pulse (roll-off factor 0.3). A channel with a 110 kHz bandwidth is available to transmit the data. The baud rate is
- (A) 20 kilo symbol/sec (B) 80 kilo symbol/sec
 (C) 30 kilo symbol/sec (D) 45 kilo symbol/sec
72. For a communication system; using coherent BPSK, it is necessary to keep the degradation due to phase error about 0.1 dB or less. The phase error in degrees, the system can tolerate is
- (A) 9 (B) 5
 (C) 6 (D) 7.1
73. The efficiency η of AM with 50 percent modulation is
- (A) 33.3% (B) 11.1%
 (C) 22.2% (D) 44.4%
74. The DFT of the sequence $x(n)=[2, 1, 2, 1]$ is
- (A) [1, 1, 2, 2] (B) [6, 2, 0, 0]
 (C) [6, 0, 2, 0] (D) [4, 2, 4, 2]
75. The Nyquist rate for the analog signal $x(t) = 3 \cos 100 \pi t - 6 \sin 400 \pi t + 4 \cos 60 \pi t$ is
- (A) 100 (B) 200
 (C) 300 (D) 400

Space For Rough Work

PART - B

(BME & ME: BIOMEDICAL ENGINEERING & MEDICAL ELECTRONICS)

SECTION - I

Each question carries one mark.

(20 × 1 = 20)

46. Volume of air that can be taken in and expelled out by maximum inspiration is
(A) lung capacity (B) vital capacity
(C) tidal volume (D) respiratory volume
47. Which of the following flow measurement techniques is not based on the principle of indicator dilution ?
(A) Plethysmography (B) Injecting saline
(C) Injecting indocyanine green (D) Fick technique
48. Precordial leads is also known as
(A) avL, aVF, aVF (B) V1 - V6
(C) chest leads (D) both (B) and (C)
49. An electrode converts
(A) Voltage in body to voltage in an amplifier
(B) Action potentials to digital signals
(C) Ionic current to electron current
(D) Reduction to oxidation reactions
50. A mutation in the reproductive cell due to excessive x-ray exposure is an example of
(A) radiative effect (B) meiotic effect
(C) somatic effect (D) genetic effect
51. The cathode of the tube is composed of
(A) suction cup (B) metallic cup
(C) electronic cup (D) none of these

Space For Rough Work

52. In pulse echo systems, the number of transducer(s) is
 (A) zero (B) one
 (C) two (D) three
53. A weaker MR signal is obtained for tissue with _____ T1
 (A) long (B) short
 (C) neither of them (D) strong
54. Double integration of a unit step function would lead to
 (A) An impulse (B) A parabola
 (C) A ramp (D) A doublet
55. The Laplace Transform of $f(t) = t$ is given by
 (A) $1/S^2$ (B) $1/S$
 (C) $2/S^3$ (D) S
56. The Z-transform of the time function $\sum_{k=0}^{\infty} \delta(n-k)$ is
 (A) $z - 1/z$ (B) $Z/(Z-1)^2$
 (C) $Z/(Z-1)$ (D) $(Z-1)^2/Z$
57. The discrete time system described by $y(n) = x(n)^2$ is
 (A) Causal, linear and time varying
 (B) Causal, non-linear and time varying
 (C) Non-Causal, linear and time invariant
 (D) Non-Causal, non-linear and time variant

Space For Rough Work

58. Averaging 100 responses will improve the signal to noise ratio by what factor ?
 (A) 100 (B) 10
 (C) 1 (D) none of these
59. FIR filter has
 (A) finite impulse response (B) linear phase
 (C) stability (D) all of these
60. Huffman algorithm is one of the _____ algorithm.
 (A) lossless (B) lossy
 (C) neither lossless nor lossy (D) none of these
61. Differentiation technique is used as one of the QRS detection technique based on
 (A) first derivative (B) second derivative
 (C) first and second derivatives (D) none of these
62. In 7-bit Hamming (7, 4) code, the h_2 bit associated with 4 bit binary number is
 (A) $b_3 \oplus b_2 \oplus b_0$ (B) $b_3 \oplus b_1 \oplus b_0$
 (C) $b_2 \oplus b_1 \oplus b_0$ (D) $b_3 \oplus b_2 \oplus b_1$
63. The high boost filter expression in an image enhancement is represented as
 (A) HPF image – LPF image (B) LPF image – original image
 (C) A*original image – LPF image (D) A*original image – HPF image
64. Which of the following image transform is input dependent ?
 (A) Walsh (B) Hadamard
 (C) Haar (D) Karhunen-Loeve
65. _____ redundancy is associated with the representation of data.
 (A) Interpixel (B) Coding
 (C) Psychovisual (D) Temporal

Space For Rough Work

SECTION – II

Each question carries two marks.

(10 × 2 = 20)

66. When ECG is recorded by connecting two electrodes, one is on right arm and other is on left leg, recording is made in
- (A) Lead I configuration
 - (B) Lead II configuration
 - (C) Lead I and Lead II configurations
 - (D) Lead III configuration
67. Which of the following are the stages of respiration in the correct order ?
- (A) Gaseous transport, breathing, tissue respiration and cellular respiration
 - (B) Breathing, gaseous transport, tissue respiration and cellular respiration
 - (C) Breathing, gaseous transport, cellular respiration and tissue respiration
 - (D) Breathing, tissue respiration, cellular respiration and gaseous transport
68. X-ray electromagnetic radiation lie in the range
- (A) 2.5 μm to 25 μm
 - (B) 400 nm to 700 nm
 - (C) 0.1 mm to 1 mm
 - (D) 10 nm to 100 nm
69. Volume of blood the heart pumps to systemic circulation each day is
- (A) $4.3 \times 10^3 \text{ cm}^3$
 - (B) $4.3 \times 10^5 \text{ cm}^3$
 - (C) $8.3 \times 10^3 \text{ cm}^3$
 - (D) $8.3 \times 10^6 \text{ cm}^3$
70. The most important electrolyte present in intracellular fluid is :
- (A) Sodium
 - (B) Calcium
 - (C) Chloride
 - (D) Potassium

Space For Rough Work

71. N-point FFT requires _____ number of stages
- (A) N^2 (B) $N \log_2 N$
 (C) $\log_2 N$ (D) N
72. The convolution between the two sequences $x[n] = \{1, 4, 2\}$ and $h[n] = \{1, 1, 1, 1\}$ is
- (A) $\{1, 3, 7, 7, 6, 1\}$ (B) $\{1, 5, 7, 7, 6, 2\}$
 (C) $\{1, 3, 7, 6\}$ (D) $\{1, 1, 1, 1\}$
73. The filter has $H(z) = (z - 1)/(z^2 - z + 1/2)$, it will be
- (A) stable (B) unstable
 (C) marginally stable (D) none of these
74. The power law transformation is represented as
- (A) $s = L - 1 - r$ (B) $s = \text{clog}(1 + r)$
 (C) $s = cr^r$ (D) none of these
75. The smallest discernible change in gray level is called _____ and the effect caused by the insufficient number of gray levels is called _____
- (A) false contouring, gray level resolution
 (B) spatial resolution, thresholding
 (C) gray level resolution, false contouring
 (D) false contouring, gray level resolution

Space For Rough Work

52. A force digital transducer measures the pressure in the range of 0-200 N with a resolution of 0.1% of full scale. The smallest change it can measure is
- (A) 0.2 N (B) 0.4 N
(C) 0.5 N (D) 1.0 N
53. Given $F(z)$ the inverse transform $z^{-1}(F(z))$ yields
- (A) $f(t)$ (B) $f(t + kT)$
(C) $f(kT)$ for $k = 0, 1, 2, 3, \dots$ (D) $f(t - kT)$
54. Which of the following gives the describing function of an ideal relay ?
- (A) $4M/\pi X$ (B) $3X^2/4$
(C) $4M/\pi X$ with angle $\tan^{-1}(1/X)$ (D) none of these
55. Which of the following is not a performance measure ?
- (A) $\int_{t_0}^{t_f} [x^T Qx + u^T Ru] dt$ (B) $\int_{t_0}^{t_f} dt$
(C) $\int_{t_0}^{t_f} |u| dt$ (D) $Ax + Bu$
56. Matrix Riccati equation is used to solve which type optimal control system ?
- (A) Minimum energy problem (B) Quadratic regulator problem
(C) Minimum time problem (D) Minimum fuel problem
57. Light appears to travel in straight lines, since
- (A) it is not absorbed by the atmosphere
(B) it is not reflected by the atmosphere
(C) its wavelength is very small
(D) its velocity is very large

Space For Rough Work

58. Programmable controllers originally intended for _____ logic systems.
 (A) 0% (B) 25%
 (C) 50% (D) 100%
59. For observing a cricket match, binocular is preferred to terrestrial telescope because the binocular
 (A) is very easy to handle
 (B) provides three dimensional vision
 (C) produces image free of chromatic aberration
 (D) produces erect image
60. Volume of blood the heart pumps to systemic circulation each day is
 (A) $4.3 \times 10^3 \text{ cm}^3$ (B) $4.3 \times 10^5 \text{ cm}^3$
 (C) $8.3 \times 10^3 \text{ cm}^3$ (D) $8.3 \times 10^6 \text{ cm}^3$
61. The electrodes generated in x-rays can be controlled
 (A) in groups (B) in pairs
 (C) independently (D) none of these
62. When $x[n]=\{1, 2, 3, 4, 5\}$, $h[n] = \{1\}$ then $x[n]*h[n]$ is
 (A) $\{1, 3, 6, 10, 15\}$ (B) $\{1, 2, 3, 4, 5\}$
 (C) $\{1, 4, 9, 16, 20\}$ (D) $\{1, 4, 6, 8, 10\}$
63. Periodic function of half wave symmetry is necessarily
 (A) an even function (B) an odd function
 (C) neither odd nor even (D) both odd and even
64. Fourier transform of $f(t)$ is $\int_0^{\infty} \phi(t)\cos \omega t dt$ if and only if
 (A) t is real and $f(t)$ is real (B) t is real and $f(t)$ is even
 (C) $f(t)$ is real and $f(t)$ is odd (D) the function is $f(t) e^{-j\omega t}$
65. The discrete time equation $y(n+1) + 0.5ny(n) = 0.5x(n+1)$ is not attributable to a
 (A) memoryless system (B) time varying system
 (C) linear system (D) causal system

Space For Rough Work

SECTION – II

Each question carries two marks.

(10 × 2 = 20)

66. A piezoelectric transducer has capacitance of 1000pF a charge sensitivity of $40 \times 10^{-3} \text{c/m}$. Capacitance of connecting cable is 300pF and oscillator for readout is 50pF in parallel with resistance of $1\text{M}\Omega$. Find out the sensitivity of transducer alone.
- (A) $10 \times 10^6 \text{V/m}$ (B) $20 \times 10^6 \text{V/m}$
(C) $30 \times 10^6 \text{V/m}$ (D) $40 \times 10^6 \text{V/m}$
67. A hydraulic testing machine is to apply a maximum force of 300 kN/m^2 . The diameter of ram is 130 mm and arc of 270° the pressure is
- (A) 22.6 GN/m^2 (B) 22.6 N/m^2
(C) 22.6 MN/m^2 (D) 22.6 mN/m^2
68. Two linear block are connected in cascade without sampler. Determine the pulse response of the function of $G1(s) = 1/s$ and $G2(s) = 1/(S + 2)$
- (A) $\frac{1}{2} Z / [(z - 1)(z - e^{-2T})]$ (B) $\frac{1}{2} Z (Z - e^{-2T}) / [(z - 1)(z - e^{-2T})]$
(C) $\frac{1}{2} Z / [(z - 1)(z - 2)]$ (D) None of the above
69. Lyapunov's method can be used to develop optimal control law. The matrix P is solved for equation $A^T P + PA = -Q$ optimal values of performance index J is
- (A) $-X^T(\infty)PX(\infty) + X^T(0)PX(0)$ (B) $X^T PX$
(C) $-X^T(\infty)PX(0) + X^T(0)PX(\infty)$ (D) $-X^T PX + X^T PX(0)$
70. Final value of $f(kT)$ i.e., limit $f(kt)$ as $K \rightarrow \infty$ can be obtained by
- (A) $\text{Lt } F(Z) \text{ as } z \rightarrow 1$ (B) $\text{Lt } (z-1)F(Z)/Z \text{ as } z \rightarrow 1$
(C) $\text{Lt } (Z-1)F(Z)/Z \text{ as } z \rightarrow 1$ (D) None of the above

Space For Rough Work

71. What is cardiac output when 10mg of indicator was injected and average concentration as calculated for curve was 5mg/lt for 20S ?
- (A) 6l/m (B) 4.5l/m
(C) 4l/m (D) 5l/m
72. In a spectrophotometer the monochromator must be able to resolve two wavelength of 499.9 nm and 500.1 nm required resolution is
- (A) 1000 (B) 2000
(C) 3000 (D) 100
73. What is the pulse separation in mode locked Nd:YAG laser when fluorescent line width is 1.1×10^{11} Hz and laser rod is 0.1m long ?
- (A) 0.5nS (B) 0.6nS
(C) 0.7nS (D) 0.8nS
74. Fourier series coefficient of time domain signal $x(t)=j\delta(k-1)-j\delta(k+1)+ \delta(k+3)+ \delta(k-3)$ at $w=2P$ then corresponding time domain signal will be
- (A) $2(\cos 6\pi t - \sin \pi t)$ (B) $-2(\cos 6\pi t - \sin \pi t)$
(C) $2(\cos 6\pi t - \sin 2\pi t)$ (D) $-2(\cos 6\pi t - \sin \pi t)$
75. Find FFT of [1 1 1 1]
- (A) [2 0 0 0] (B) [2j - 2j 2j - 2j]
(C) [4 0 0 0] (D) [4 1 1 1]

Space For Rough Work

SEAL

A-1